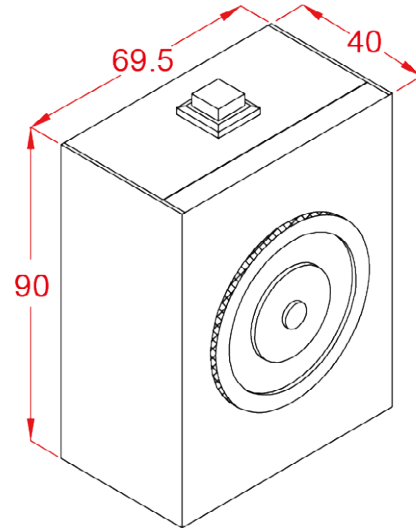


### DOOR HOLDER - wall mounted DH502 SERIES

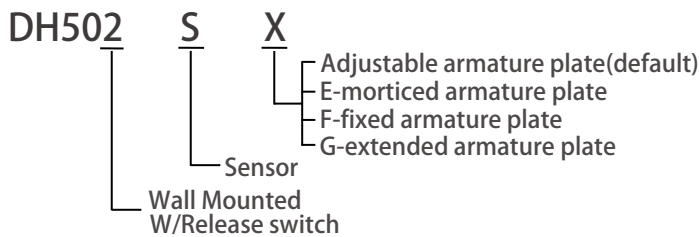
DOOR HOLDER



• DH502 : 90L\*69.5W\*40H mm



#### ▼ ORDERING INFORMATION



EXAMPLE :

- DH502 : Wall mounted, w/adjustable armature plate, w/release switch
- DH502S : Wall mounted, w/adjustable armature plate, monitored, w/release switch
- DH502F : Wall mounted, w/adjusted armature plate, w/release switch

#### ▼ SPECIFICATION

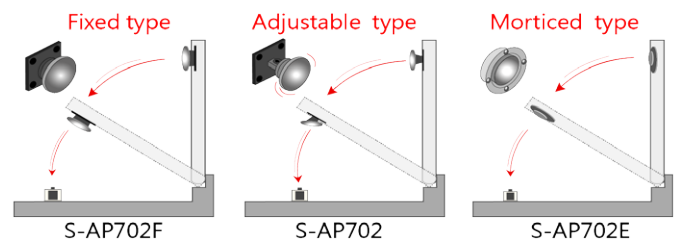
- Holding Force : about 100LBS
- Built-in voltage spike suppressor
- Sensor : Optional
- Voltage : 12V / 24VDC (Selectable)
- Current Draw : 100mA / 12VDC , 50mA / 24 VDC

#### ▼ FEATURES

- Suitable for fire escape doors in large-scale buildings.
- it releases the armature plate to allow the door closer to close the door when a fire alarm or emergency is detected, to keep smoke in a limited area.
- With Release Switch : to release the door for other purposes (e.g. function test)
- Adjustable, fixed, extended, or morticed armature plate

#### ▼ ARMATURE PLATE INSTALLATION

- Adjustable Armature Plate (default) : applicable for environments with angle differences between the door and the wall



#### ▼ APPLICATION

