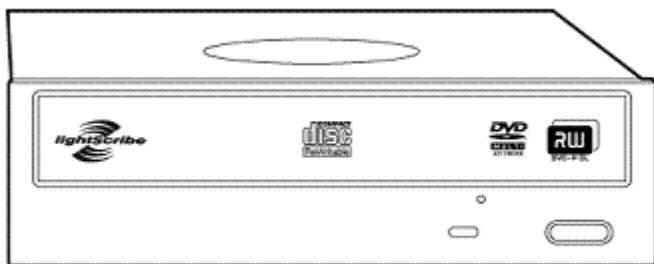


Overview

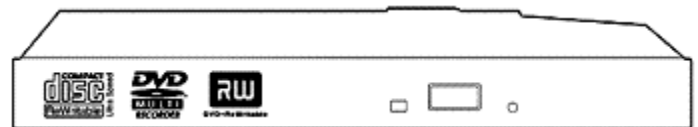
HPE SATA DVD RW Optical Drives

The HPE SATA optical drives for HPE ProLiant servers are offered with an industry-standard SATA interface and are supported on most major operating systems.

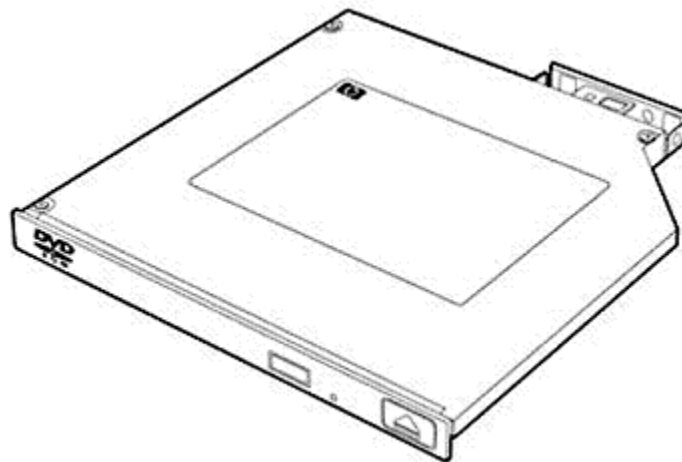
The DVD RW drive will be capable of reading DVD 4.7 GB through 8.5 GB media. It will also be able to read standard stamped, CD-R, and CD-RW media. This drive supports writing to CD-R, CD-RW, DVD +R/RW, and DVD -R/RW media via software utilities. For Microsoft® operating systems, this is available by installing the included Roxio software disk. For other operating systems, an operating system-specific software utility is required for writing to media.



HPE Half-Height SATA DVD RW Optical Drive



HPE Slim SATA DVD RW Optical Drive



HPE 9.5mm SATA DVD RW Optical Drive

What's New

- HPE 9.5mm SATA DVD-RW JackBlack G9 Optical Drive

Models

HPE 9.5mm SATA DVD-RW Optical Drive	726537-B21
HPE Half-Height SATA DVD RW JackBlack Optical Drive	624192-B21
HPE 12.7mm Slim SATA DVD-RW JackBlack Optical Drive	652235-B21
HPE 9.5mm SATA DVD-RW JackBlack Optical Drive	652241-B21
HPE Half-Height SATA DVD-RW Optical Drive	447328-B21

Overview

HPE Slim 12.7mm SATA DVD-RW Optical Drive

481043-B21

HPE 9.5mm SATA DVD-RW Optical Drive

481047-B21

Kit Contents

- SATA DVD RW drive
 - Installation guide
 - Warranty card
 - Roxio software disk
 - SATA data and power cables
-

Product Features

- Higher capacity writable optical drive utilizing DVD and CD media
-

Compatibility

NOTE: This is a list of supported servers. Some may be discontinued.

HPE 9.5mm SATA DVD- RW JackBlack Gen9

Optical Drive

726537-B21

- HPE ProLiant ML350 Gen9

ProLiant DL (rack-optimized):

- HPE ProLiant DL160 Gen9
 - HPE ProLiant DL180 Gen9
 - HPE ProLiant DL360 Gen9
 - HPE ProLiant DL360 Gen9
-

HPE Half-Height SATA DVD RW JackBlack

Optical Drive

624192-B21

ProLiant ML (expansion-optimized):

- HPE ProLiant ML310e Gen8
- HPE ProLiant ML310e Gen8 v2
- HPE ProLiant ML350e Gen8
- HPE ProLiant ML350p Gen8

ProLiant MicroServer (Just Right First Server):

- HPE ProLiant MicroServer
-

HPE 12.7mm Slim SATA DVD-RW JackBlack

Optical Drive

652235-B21

ProLiant DL (rack-optimized):

- HPE ProLiant DL380e Gen8
 - HPE ProLiant DL380p Gen8
 - HPE ProLiant DL385p Gen8
-

HPE 9.5mm SATA DVD- RW JackBlack Optical Drive

652241-B21

ProLiant DL (rack-optimized):

- HPE ProLiant DL160 Gen8

Overview

- HPE ProLiant DL320e Gen8
- HPE ProLiant DL320e Gen8 v2
- HPE ProLiant DL360e Gen8
- HPE ProLiant DL360p Gen8

ProLiant MicroServer:

- HPE ProLiant MicroServer Generation 8 (Gen8)

HPE Half-Height SATA DVD-RW Optical Drive

447328-B21

ProLiant DL (rack-optimized):

- HPE ProLiant DL370 G6

ProLiant ML (expansion-optimized):

- HPE ProLiant ML110 G5
- HPE ProLiant ML110 G6
- HPE ProLiant ML110 G7
- HPE ProLiant ML115 G5
- HPE ProLiant ML150 G5
- HPE ProLiant ML150 G6
- HPE ProLiant ML310 G5p
- HPE ProLiant ML330 G6
- HPE ProLiant ML350 G5
- HPE ProLiant ML350 G6
- HPE ProLiant ML370 G6

HPE Slim 12.7mm SATA DVD-RW Optical Drive

481043-B21

ProLiant DL (rack-optimized):

- HPE ProLiant DL120 G5
- HPE ProLiant DL180 G5
- HPE ProLiant DL180 G6
- HPE ProLiant DL320 G5p
- HPE ProLiant DL370 G6
- HPE ProLiant DL380 G6
- HPE ProLiant DL380 G7
- HPE ProLiant DL385 G5p
- HPE ProLiant DL385 G6
- HPE ProLiant DL385 G7
- HPE ProLiant DL580 G5
- HPE ProLiant DL580 G7
- HPE ProLiant DL585 G7
- HPE ProLiant DL980 G7

ProLiant ML (expansion-optimized):

- HPE ProLiant ML370 G6

Overview

HPE 9.5mm SATA DVD- RW Optical Drive

481047-B21

- HPE ProLiant DL120 G6
- HPE ProLiant DL120 G7
- HPE ProLiant DL160 G6
- HPE ProLiant DL160se G6
- HPE ProLiant DL165 G7
- HPE ProLiant DL320 G5p
- HPE ProLiant DL320 G6

Warranty

The warranty for this device is 1 year parts only. Maximum: The remaining warranty of the HPE server product in which it is installed (to a maximum three-year limited warranty).

- Response - Upgrade on-site response from next business day to same day 4 hours
- Coverage - Extend hours of coverage from 9 hours x 5 days to 24 hours x 7 days
- Duration - Select duration of coverage for a period of 1, 3, or 5 years

Warranty upgrade options can come in the form of Care Packs, which are sold at the HPE System level this product attaches too.

Service and Support

Service and Support

HPE Technology Services

HPE Technology Services offers you consultants and support experts to solve your most complex infrastructure problems. We help keep your business running, boost availability, and avoid downtime.

Protect your business beyond warranty with HPE Pointnext operational Services

When you buy HPE Options, it's also a good time to think about what level of service you may need. HPE Pointnext operational services provide total care and support expertise with committed response choices designed to meet your IT and business need.

HPE Foundation Care services deliver scalable support-packages for Hewlett Packard Enterprise industry-standard servers and software. You can choose the type and level of service that is most suitable for your business needs. New to this portfolio is HPE Collaborative Support. If you are running business critical environments, Hewlett Packard Enterprise offers Proactive Care or Critical Advantage. These services help you deliver high levels of application availability through proactive service management and advanced technical response.

Here is the support service recommendation from the Foundation Care and Proactive Care portfolio. For customized support service solution, Hewlett Packard Enterprise can work with you to tailor a service solution for your unique support requirements using broader services portfolio of Foundation Care and Proactive Care.

Recommended HPE Pointnext operational Services for optimal satisfaction with your HPE product

Recommended Services **3-Year HPE 24x7 4 hour Response, Hardware Support Onsite Service**

Provides you with rapid remote support and if required a Hewlett Packard Enterprise Authorized representative who will arrive on site any time and day of the year to begin hardware maintenance service within 4 hours of the service request being logged.

<https://www.hpe.com/h20195/v2/getpdf.aspx/5982-6547eee.pdf>

OR

3-Year HPE 24x7 4 hour Response, HPE Collaborative Support

Offers customers a single point of contact for server problem diagnosis, hardware problem resolution, and basic software problem diagnosis, fault isolation, and resolution if available to Hewlett Packard Enterprise. If the problem is with HPE HW, the representative will arrive on site any time and day of the year to begin hardware maintenance service within 4 hours of the service request being logged. In case, the issue is with HPE or supported third-party software product and cannot be resolved by applying known fixes, Hewlett Packard Enterprise will contact the third-party vendor and create a problem incident on your behalf.

HPE ProLiant Server Hardware Installation

Provides for the basic hardware installation of Hewlett Packard Enterprise branded servers, storage devices and networking options to assist you in bringing your new hardware into operation in a timely and professional manner

<http://h20195.www2.hp.com/V2/GetPDF.aspx/5981-9356EN.pdf>

Related HPE Pointnext operational Services to enhance your HPE product experience

Related Services

3-Year HPE 24x7 4 hour Response, Proactive Care or Critical Advantage

Helps optimize your systems and delivers high levels of application availability through proactive service management and advanced technical response. A skilled Technical Manager will own your

Service and Support

query or issue end to end until resolved, delivering a single point of contact for you.

<https://www.hpe.com/h20195/v2/getpdf.aspx/4aa3-2140enw.pdf>

OR

3-Year HPE 6-hour Onsite Call-to-Repair, HPE Collaborative Support

Offers customers a single point of contact for server problem diagnosis, hardware problem resolution to return the hardware in operating condition within 6 hours of the initial service request to the HPE Global Solution Center, and basic software problem diagnosis, fault isolation, and resolution if available to Hewlett Packard Enterprise. In case, the issue is with HPE or supported third-party software product and cannot be resolved by applying known fixes, Hewlett Packard Enterprise will contact the third-party vendor and create a problem incident on your behalf.

HPE Proactive Select Service

Provides a flexible way to purchase HPE best-in-class consultancy and technical services. You can buy Proactive Select Service Credits when you purchase your hardware and then use the credits over the next 12 months.

<http://h20195.www2.hp.com/V2/GetPDF.aspx/4AA2-3842ENN.pdf>

Insight Provides 24 X 7 remote monitoring, proactive notifications, and problem resolution. Learn more <http://h20565.www2.hpe.com/portal/site/hpsc/public/psi/home?sp4ts.oid=5211911&ac.admitted=1507816040466.125225703.1851288163>

Remote Support

HPE Support Center

Personalized online support portal with access to information, tools and experts to support Hewlett Packard Enterprise business products. Submit support cases online, chat with HPE experts, access support resources, or collaborate with peers. Learn more <http://h20565.www2.hpe.com/portal/site/hpsc/>

The HPE Support Center Mobile App* allows you to resolve issues yourself or quickly connect to an agent for live support. Now, you can get access to personalized IT support anywhere, anytime. HPE Insight Remote Support and HPE Support Center are available at no additional cost with a HPE warranty, HPE Pointnext operational or Hewlett Packard Enterprise contractual support agreement.

*The Hewlett Packard Enterprise Support Center Mobile App is subject to local availability

Parts and materials

Hewlett Packard Enterprise will provide HPE-supported replacement parts and materials necessary to maintain the covered hardware product in operating condition, including parts and materials for available and recommended engineering improvements. Supplies and consumable parts will not be provided as part of this service; standard warranty terms and conditions apply. Parts and components that have exceeded their maximum supported lifetime and/or the maximum usage limitations as set forth in the manufacturer's operating manual or the technical product data sheet will not be provided, repaired, or replaced as part of this service.

Warranty / Service Coverage

For ProLiant servers and storage systems, this service covers HPE-branded hardware options qualified for the server, purchased at the same time or afterward, internal to the enclosure, as well as external monitors up to 22 inches and tower UPS products; these items will be covered at the same service level and for the same coverage period as the server unless the maximum supported lifetime and/or the maximum usage limitation has been exceeded. Coverage of the UPS battery is not included; standard warranty terms and conditions apply.

Service and Support

The defective media retention service feature option applies only to Disk or eligible SSD/Flash Drives replaced by Hewlett Packard Enterprise due to malfunction. It does not apply to any exchange of Disk or SSD/Flash Drives that have not failed. SSD/Flash Drives that are specified by Hewlett Packard Enterprise as consumable parts and/or that have exceeded maximum supported lifetime and/or the maximum usage limit as set forth in the manufacturer's operating manual or the technical data sheet are not eligible for the defective media retention service feature option.

For more information

To learn more on services for HPE ESSN Options, please contact your Hewlett Packard Enterprise sales representative or Hewlett Packard Enterprise Authorized Channel Partner. Or visit: <https://www.hpe.com/us/en/support.html> or <https://www.hpe.com/us/en/services/operational.html>

Technical Specifications

HPE Half-Height SATA DVD RW Optical Drive (including Jackblack)

Shipping Dimensions (H x W x D)	6.0 x 9.88 x 10.88 in (15.24 x 25.1 x 27.64 cm)			
Drive Dimensions (H x W x D)	1.62 x 5.75 x 7.8 in (4.13 x 14.6 x 20 cm)			
Device Type	DVD+/-RW Drive (Super-Multi Drive)			
Disk	Applicable Disk			
	DVD-ROM			
	DVD-R			
	DVD-R DL			
	DVD-RW			
	DVD+R			
	DVD+R DL			
	DVD+RW			
	DVD-RAM Ver. 1.1 (Read Only)			
	DVD-RAM Ver. 2.2 (Rev. 2)			
	CD-ROM XA			
	CD-ROM Mode-1 data disc			
	CD-ROM Mode-2 data disc			
	CD Audio disc			
	CD-Extra			
	CD-RW			
	CD-R			
	Photo CD			
	CD-I			
	CD-DA			
Capacity	DVD-ROM	DVD-SL	4.7 GB/side	
		DVD-DL	8.5 GB/side	
		Double Sided	9.40 GB	
	DVD+/-R		4.7 GB/side	
	DVD +/-RW		4.7 GB/side	
	DVD+R	DL	8.5 GB/side	
	DVD-R	DL	8.5 GB/side	
	DVD-RAM	Ver.1.1, 120 mm	2.6 GB/side	
		Double Sided	5.2 GB	
		Ver. 2.2, 120 mm	4.7 GB/side	
	CD-ROM	Mode-1	650 MB (550 MB)	
		Mode-2	742 MB (640 MB)	
Block Size	DVD		2,048 bytes	
	CD	Mode-1	2048, 2352 bytes	
		Mode-2 Form1	2048, 2328, 2336, 2340, 2352 bytes	
		Mode-2 Form2	2328, 2336, 2340, 2352 bytes	
Diameter	120 mm, 80 mm (with adapter at vertical mounting mode)			
Loading Mechanism	Tray type			
Interface	SATA 1.5			
Access Times (typical)	Random	DVD-ROM < 130 ms, CD-ROM < 120 ms		
	Full-Stroke	DVD-ROM < 240 ms, CD-ROM < 200 ms		
	DVD-ROM	Read	Up to 16X	

Technical Specifications

	DVD+R/-R	Read/Write	Up to 16X
	DVD+R DL/-R DL	Read	Up to 12X
	DVD+R DL/-R DL	Write	Up to 8X
	DVD+RW	Read/Write	Up to 8X
Data Transfer Rate (sustained)	DVD-RW	Read	Up to 8X
	DVD-RW	Write	Up to 6X
	DVD-RAM	Read/Write	Up to 5X
	CD-ROM	Read	Up to 40X
	CD-R	Read/Write	Up to 40X
	CD-RW	Write	Up to 24X
Cache Buffer	0.5MB (Minimum)		
Spin-up Time (typical)	less than 10 seconds (not including tray in)		
MTBF	125,000 Power On Hours (POH), 25% Duty Cycle		
Ambient Temperature	Operating	41° to 122°F (5° to 50°C)	
	Storage	-22° to 140°F (-30° to 60°C)	
Relative Humidity	Operating	10% to 90%	
	Storage	5% to 95%	

HPE Slim SATA DVD RW Optical Drive (including Jackblack)

Shipping Dimensions 3.97 x 7.81 x 10.75 in (10.08 x 19.84 x 27.31 cm)
(H x W x D)

Drive Dimensions 0.5 x 5.2 x 5.45 in (1.27 x 13.2 x 13.8 cm)
(H x W x D)

Device Type DVD+/-RW Drive (Super-Multi Drive)

Disk	Applicable Disk	DVD-ROM		
		DVD-R		
		DVD-R DL		
		DVD-RW		
		DVD+R		
		DVD+R DL		
		DVD+RW		
		DVD-RAM		
		CD-ROM XA		
		CD-ROM Mode-1 data disc		
		CD-ROM Mode-2 data disc		
		CD Audio disc		
		CD-Extra		
		CD-RW		
		CD-R		
		Photo CD		
		CD-I		
		CD-DA		
	Capacity	DVD-ROM	DVD-SL	4.7 GB/side
			DVD-DL	8.5 GB/side
			Double Sided	9.40 GB
		DVD+/-R		4.7 GB/side
		DVD+/-RW		4.7 GB/side
		DVD+R	DL	8.5 GB/side
		DVD-R	DL	8.5 GB/side
		DVD-RAM	Ver.2.2, 120 mm	4.7 GB/side
		CD-ROM	Mode-1	650 MB (550 MB)
			Mode-2	742 MB (640 MB)

Technical Specifications

	Block Size	DVD	2,048 bytes
		CD	Mode-1 2048 bytes
			Mode-2 Form1 2048, 2352 bytes
			Mode-2 Form2 2352 bytes
	Diameter	120 mm, 80 mm (with adapter at vertical mounting mode)	
Loading Mechanism	Tray type Manual Load		
Interface	SATA 1.5		
Access Times (typical)	Random	DVD-ROM < 120 ms, CD-ROM < 110 ms	
	Full-Stroke	DVD-ROM < 250 ms, CD-ROM < 210 ms	
Data Transfer Rate	DVD-ROM	Read	Up to 8X
	DVD+R/-R	Read/Write	Up to 8X
	DVD+RW	Read/Write	Up to 8X
	DVD-RW	Read	Up to 8X
	DVD-RW	Write	Up to 6X
	DVD+R DL/-R DL	Read	Up to 8X
	DVD+R DL/-R DL	Write	Up to 6X
	DVD-RAM	Read/Write	Up to 5X
	CD-ROM	Read	Up to 24X
	CD-R/-RW	Read/Write	Up to 24X
Cache Buffer	0.5MB (Minimum)		
Spin-up Time (typical)	less than 15 seconds		
MTBF	35,000 Power On Hours (POH), 25% Duty Cycle		
Ambient Temperature	Operating	41° to 122°F (5° to 50°C)	
	Storage	-22° to 140°F (-30° to 60°C)	
Relative Humidity (non-condensing)	Operating	10% to 80%	
	Storage	5% to 90%	

HPE 9.5mm SATA DVD RW Optical Drive (including Jackback)

Shipping Dimensions (H x W x D)	3.97 x 7.81 x 10.75 in (10.08 x 19.84 x 27.31 cm)		
Drive Dimensions (H x W x D)	0.37 x 5.1 x 5.2 in (9.5 x 130 x 132 mm)		
Device Type	DVD+/-RW Drive	(Super-Multi Drive)	
Disk	Applicable Disk	DVD-ROM DVD-R DVD-R DL DVD-RW DVD+R DVD+R DL DVD+RW DVD-RAM CD-ROM XA CD-ROM Mode-1 data disc CD-ROM Mode-2 data disc CD Audio disc CD-Extra CD-RW CD-R Photo CD CD-I CD-DA	
	Capacity	DVD-ROM	DVD-SL 4.7 GB/side

Technical Specifications

		DVD-DL	8.5 GB/side
		Double Sided	9.40 GB
		DVD+/-R	4.7 GB/side
		DVD+/-RW	4.7 GB/side
		DVD+R	M-Disc
		DVD+R	DL
		DVD-R	DL
		DVD-RAM	Ver. 2.2, 120 mm
		CD-ROM	Mode-1
			Mode-2
	Block Size	DVD	2048 bytes
		CD	Mode-1
			Mode-2 Form1
			Mode-2 Form2
	Diameter	120 mm, 80 mm (with adapter at vertical mounting mode)	
Loading Mechanism	Tray type Manual Load		
Interface	SATA 1.5		
Access Times (typical)	Random	DVD-ROM < 160 ms, CD-ROM < 140 ms	
	Full-Stroke	DVD-ROM < 300 ms, CD-ROM < 275 ms	
Data Transfer Rate	DVD-ROM	Read	Up to 8X
	DVD+R/-R	Read/Write	Up to 8X
	DVD+RW	Read/Write	Up to 8X
	DVD-RW	Read	Up to 8X
	DVD-RW	Write	Up to 6X
	DVD+R DL/-R DL	Read	Up to 8X
	DVD+R DL/-R DL	Write	Up to 6X
	DVD-RAM	Read/Write	Up to 5X
	CD-ROM	Read	Up to 24X
	CD-R	Read/Write	Up to 24X
	CD-RW	Write	Up to 16X
Cache Buffer	0.5 MB (Minimum)		
Spin-up Time (typical)	less than 15 seconds		
MTBF	35,000 Power On Hours (POH), 25% Duty Cycle		
Ambient Temperature	Operating	41° to 122°F (5° to 50°C)	
	Storage	-22° to 140°F (-30° to 60°C)	
Relative Humidity (non-condensing)	Operating	10% to 80%	
	Storage	5% to 90%	

Environment-friendly Products and Approach **End-of-life Management and Recycling** Hewlett Packard Enterprise offers end-of-life Hewlett Packard Enterprise product return, trade-in, and recycling programs in many geographic areas. For trade-in information, please go to: <https://www.hpe.com/us/en/about/environment/product-recycling.html>. To recycle your product, please go to: <https://www.hpe.com/us/en/about/environment/product-recycling.html> or contact your nearest Hewlett Packard Enterprise sales office. Products returned to Hewlett Packard Enterprise will be recycled, recovered, or disposed of in a responsible manner.

The EU WEEE directive (2002/95/EC) requires manufacturers to provide treatment information for each product type for use by treatment facilities. This information (product disassembly instructions) is posted on the

Technical Specifications

Hewlett Packard Enterprise web site
at: <https://www.hpe.com/us/en/about/environment/product-recycling.html>. These instructions may be used by recyclers and other WEEE treatment facilities as well as HPE OEM customers who integrate and re-sell Hewlett Packard Enterprise equipment.

Summary of Changes

Date	Version History	Action	Description of Change
24-Oct-2018	Version 21	Changed	Rebranded
09-Sep-2014	Version 20	Changed	Added a new model.
		Added	Updated What's New, Compatibility and Technical Specifications
12-Jul-2013	Version 19	Changed	-Compatibility was revised in Overview -Applicable Disk and Capacity were revised in Technical Specifications
27-Jun-2013	Version 18	Changed	Model descriptions, Compatibility, and Technical Specifications were revised.
06-Mar-2012	Version 17	Changed	Changes were made throughout for new models.
23-Jun-2011	Version 16	Changed	Link was corrected in Service and Support.
20-Jun-2011	Version 15	Removed	Mentions of StorageWorks were removed.
05-Apr-2011	Version 14	Added	HP ProLiant ML110 G7 and DL120 G7 were added to Compatibility.
05-Oct-2010	Version 13	Changed	-Warranty was moved into the Overview -Cache Buffer was revised in Technical Specifications -HP ProLiant DL980 G7 was added to HP Slim SATA DVD RW Optical Drive Compatibility -Service and Support section was added
16-Jul-2010	Version 12	Changed	-URL for HP Care Pack Information was changed in Service and Support, HP Care Pack, and Warranty Information -Cache Buffer was changed to 1.5 MB in HP Half-Height SATA DVD RW Optical Drive in Technical Specifications -HP ProLiant DL580 G7 and DL585 G7 were added to HP Slim SATA DVD RW Optical Drive Compatibility
27-Apr-2010	Version 11	Added	HP ProLiant DL380 G7 and DL385 G7 were added to HP Slim SATA DVD Optical Drive.
29-Mar-2010	Version 10	Added	HP ProLiant DL165 G7 was added to HP 9.5mm DVD RW Optical Drive.
16-Nov-2009	Version 9	Changed	HP ProLiant ML110 G6, ML350 G6, DL120 G6 and DL160se G6 were added and HP ProLiant ML115 G6, ML150 G5 and ML310 G5 were removed from Compatibility.
02-Jun-2009	Version 8	Added	HP ProLiant ML330 G6 Server to HP Half-Height SATA DVD RW Optical Drives and HP ProLiant DL385 G6 Server to HP Slim SATA DVD RW Optical Drive in the Compatibility section.
27-Apr-2009	Version 7	Added	HP ProLiant DL160 G6, DL180 G6, DL320 G6, DL370 G6, DL380 G6 and DL385 G6 Servers and HP ProLiant ML115 G6, ML150 G6, ML310 G5p, ML360 G6 and ML370 G6 Servers to Compatibility in the Overview section.
26-Jan-2009	Version 6	Added	HP 9.5mm SATA DVD RW Optical Drive throughout the QuickSpec.
08-Dec-2008	Version 5	Added	HP ProLiant DL580 G5 was added to the Compatibility list.
14-Jul-2008	Version 4	Changed	The QuickSpecs was rewritten to include the HP Slim SATA DVD RW Optical Drive throughout. NOTE that the title has changed.
31-Mar-2008	Version 3	Changed	HP ProLiant ML115 was changed from G2 to G5 in HP Half-Height SATA DVD RW Optical Drive in the Compatibility section.
		Added	HP ProLiant ML350 G5 was added to HP Half-Height SATA DVD RW Optical Drive in the Compatibility section.
14-Nov-2007	Version 2	Changed	The title of the document was updated.
12-Nov-2007	Version 1	Created	New QuickSpecs



Sign up for updates

Summary of Changes



**Hewlett Packard
Enterprise**



Sign up for updates



**Hewlett Packard
Enterprise**

© Copyright 2018 Hewlett Packard Enterprise Development LP. The information contained herein is subject to change without notice. The only warranties for Hewlett Packard Enterprise products and services are set forth in the express warranty statements accompanying such products and services. Nothing herein should be construed as constituting an additional warranty. Hewlett Packard Enterprise shall not be liable for technical or editorial errors or omissions contained herein.

Microsoft and Windows are US registered trademarks of Microsoft Corporation.

c04123288 - 12843 - Worldwide - V21 - 24-October-2018

© Copyright 2018 Hewlett Packard Enterprise Development LP. The information contained herein is subject to change without notice. The only warranties for Hewlett Packard Enterprise products and services are set forth in the express warranty statements accompanying such products and services. Nothing herein should be construed as constituting an additional warranty. Hewlett Packard Enterprise shall not be liable for technical or editorial errors or omissions contained herein.

Microsoft and Windows are US registered trademarks of Microsoft Corporation.

c04123288 - 12843 - Worldwide - V21 - 24-October-2018