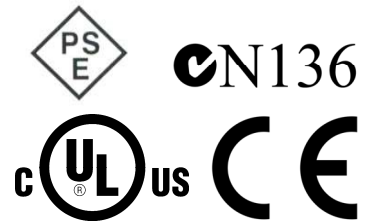




## 10W Interchangeable Plug Series with Micro-USB Connector PSAC10R Adapter Meets EISA and Ecodesign Requirements



### Features

- Double Insulated
- Field Changeable AC Plugs
- Efficiency Level V Compliance
- Ecodesign ErP Directive 2009/125/EC level 2 annex 1b Compliant
- Low Leakage Current
- Micro-USB Connector
- Class B EMI
- CC/CV

### Applications

- Wireless Communications
- Networking
- Portable Equipment
- Peripherals

### Safety Approvals

- cUL/UL
- PSE
- CE
- C-Tick

### Mechanical Characteristics

- Length: 71.7mm (2.82in)
- Width: 45mm (1.77in)
- Height: 29.79mm (1.17in)
- Weight: 120g (4.23oz)

### Output Specifications

Model	DC Output Voltage	Load		Ripple <sup>(1)</sup> P-P (max.)	Output Power	Efficiency Level
		Min.	Max.			
PSAC10R-050V	5V	0A	2.0A	100mV	10W	V

- (1) Measured with by-pass capacitors 0.1uF/10uF at output connector terminal and oscilloscope set at 20MHz.  
- Interchangeable clips sold separately.

Phihong is not responsible for any error, and reserves the right to make changes without notice. Please visit our website at [www.phihong.com](http://www.phihong.com) for the most up-to-date specifications and contact information.

**Input:**

**AC Input Voltage Rating**  
100 to 240V AC

**AC Input Voltage Range**  
90 to 264V AC

**AC Input Frequency**  
50 to 60Hz

**Input Current**  
0.3A (RMS) maximum at 115V AC

**Leakage Current**  
0.25mA maximum at 240V AC

**Inrush Current**  
60A maximum at 230VAC and maximum load  
(cold start at ambient 25°C)

**Input Power Saving**  
<0.3W at 115/230V AC and no load

**Output:**

**Efficiency**  
Meets Level V Efficiency Requirements  
73.3% minimum average efficiency

**Hold-up Time**  
10mS minimum at 120V AC and maximum load

**Over-Voltage Protection**  
Zener Clamping

**Over Current Protection**

125%, auto restart

**Environmental:**

**Temperature**

Operation 0 to 40°C  
Non-operation -40 to 85°C  
Humidity 5 to 90%

**Emissions**

FCC Class B  
EN55022 Class B

**Immunity**

EN50082-1:  
EN61000-4-2 Level 4  
EN61000-4-5 Level 3

**Insulation Resistance**

Primary to Secondary: 100M ohm, 500V DC

**MTBF**

100K hours minimum at maximum load, 240V AC

**Dielectric Withstand (Hi-pot) Test**

Primary to Secondary: 3000V AC for 1 min., 10mA

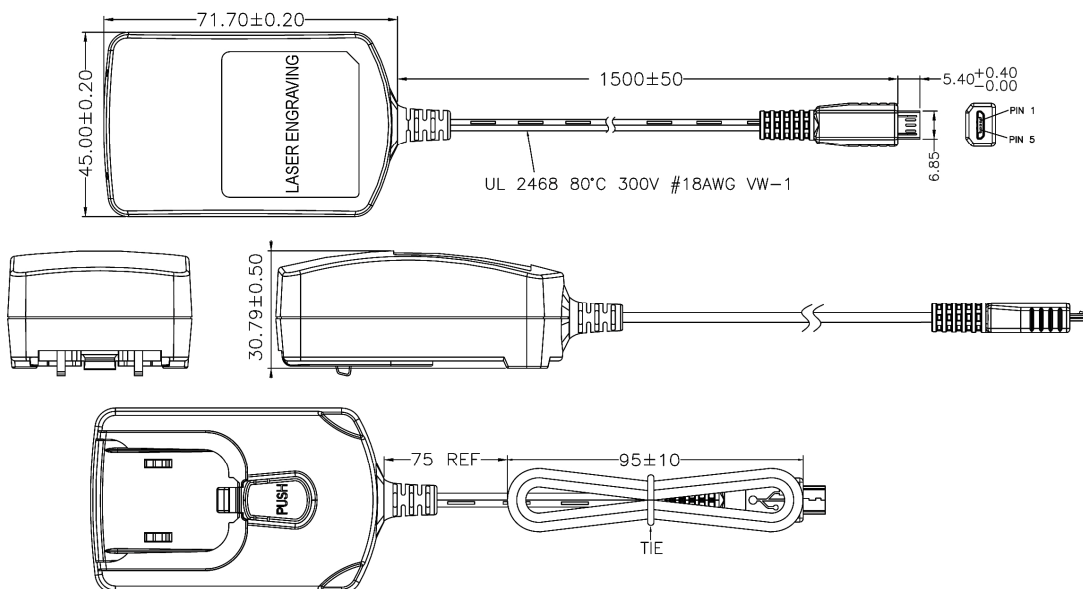
**DC Output Connector**

Micro USB

**Interchangeable Clips (sold separately)**

RPA: US	RPI: India
PRB: Brazil	RPK: UK
RPC: China	RPN: Argentina
RPE: Europe	RPS: Australia
RPH: Korea	RPX: IEC320 C8

**Dimension Diagram Unit: mm (inch)**



# Mouser Electronics

Authorized Distributor

Click to View Pricing, Inventory, Delivery & Lifecycle Information:

[Phihong:](#)

[PSAC10R-050V-R](#)