



TS1000 Pro Series

TS1033 Pro Tripod Turnstile
(w/ Face recognition SpeedFace-V4L)

Our Pro series tripod turnstiles represent classic and safe way to protect your premises. They are widely used in various indoor environment applications. They fit perfectly as an economical option into the office buildings and other related applications.



Access Control System



Proactive Face Recognition



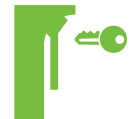
Wide Palm Pose Angle Acceptance



Drop-arm



Bi-directional



Mechanical Unlocking

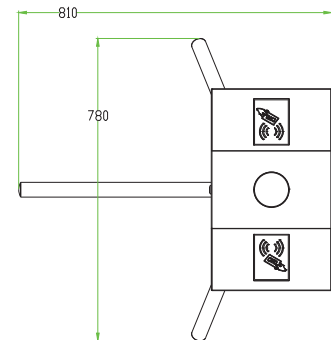
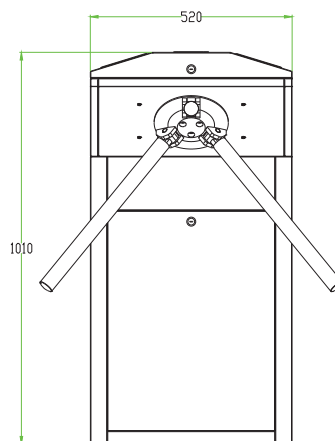
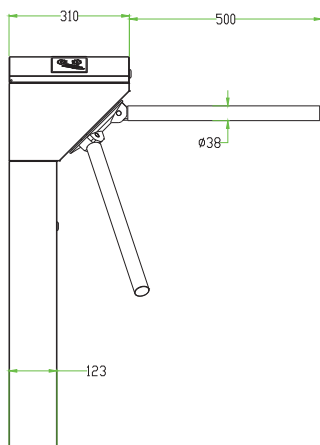
Features

- SUS304 stainless steel housing
- Bi-directional tripod turnstile with arm drop function
- LED pictograms for intuitive user experience and high throughput in both directions
- High quality at an affordable price
- Low power consumption
- Wide range of accessories
- Easy and simple installation process
- Easy to maintain and monitor

Specifications

Power requirements		AC110V/220V, 60/50Hz
Power consumption	Starting	68W
	Standby	15W
	Unlock	60W
Working temperature		28- °C - 60 °C
Working humidity		%80-%5
Working environment		Indoor/Outdoor(if sheltered)
Speed of throughput	RFID	Maximum 30/minute
	Palm	Maximum 25/minute
	Face	Maximum 30/minute
Lane width(mm)		500
Footprint(mm*mm)		810*520
Dimension(mm)		L=520,W=310,H=1010
Dimension with packing(mm)		L=570,W=365,H=1080
Net weight(kg)		35
Weight with packing(kg)		36
LED indicator		Y
Cabinet material		SUS304 Stainless Steel
Lid material		SUS304 Stainless Steel
Barrier material		SUS304 Stainless Steel
Barrier movement		Rotation
Emergency mode		Y
Security level		Medium
Mean cycles between failure (MCBF)		1 million
Options/Accessories		Counter, SUS316 Cabinet and Lid, Remote Control

Dimensions (mm)



V2020.01.06 1.1